

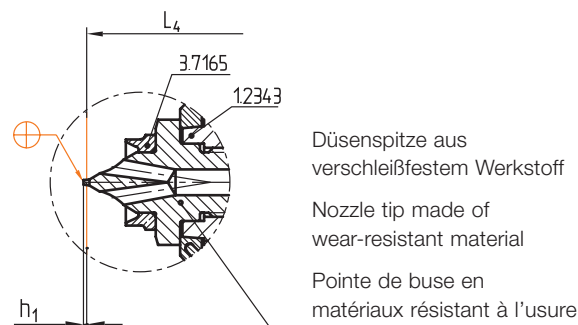
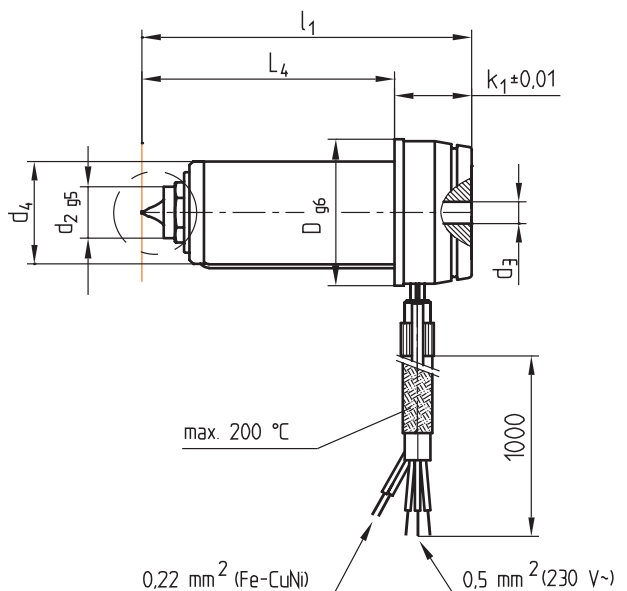
Z3310/...

230 V~

+ = Fe-CuNi  
- = Fe-CuNi



Info



Neu / New / Nouveau

max. °C	Watt	h <sub>1</sub>	d <sub>2</sub>	d <sub>3</sub>	d <sub>4</sub>	k <sub>1</sub>	L <sub>4</sub>	D	l <sub>1</sub>	Nr./No.		
400	200	0,1	6,5	3	12	13	37	16	50	Z3310/16x 50		
									63	63		
									80	80		
	250		7	14	37	20	50	Z3310/20x 50				
							63	63				
							80	80				
	315	250	0,2	10	3,5	18	18	38	25	56	Z3310/25x 56	
										63	63	
										71	71	
		315		45	53	62	80	100	82	32	63	Z3310/25x 63
											71	71
											80	80
400	315	11	4,5	22	21	42	32	32	63	Z3310/32x 63		
									71	71		
									80	80		
	400		59	69	79	100	79	40	40	80	Z3310/40x 80	
										90	90	
										100	100	
500	500	14	6	28	59	40	40	40	80	Z3310/40x 80		
									90	90		
									100	100		
	630		79	100	91	112	125	140	50	50	100	Z3310/50x 100
											112	112
											125	125
800	630	0,5	18	8	35	27	73	50	100	100	Z3310/50x 100	
										112	112	
										125	125	
	800		113	140	160	200	173	50	50	50	140	Z3310/50x 140
											160	160
											200	200

This is trial version  
www.adultpdf.com